

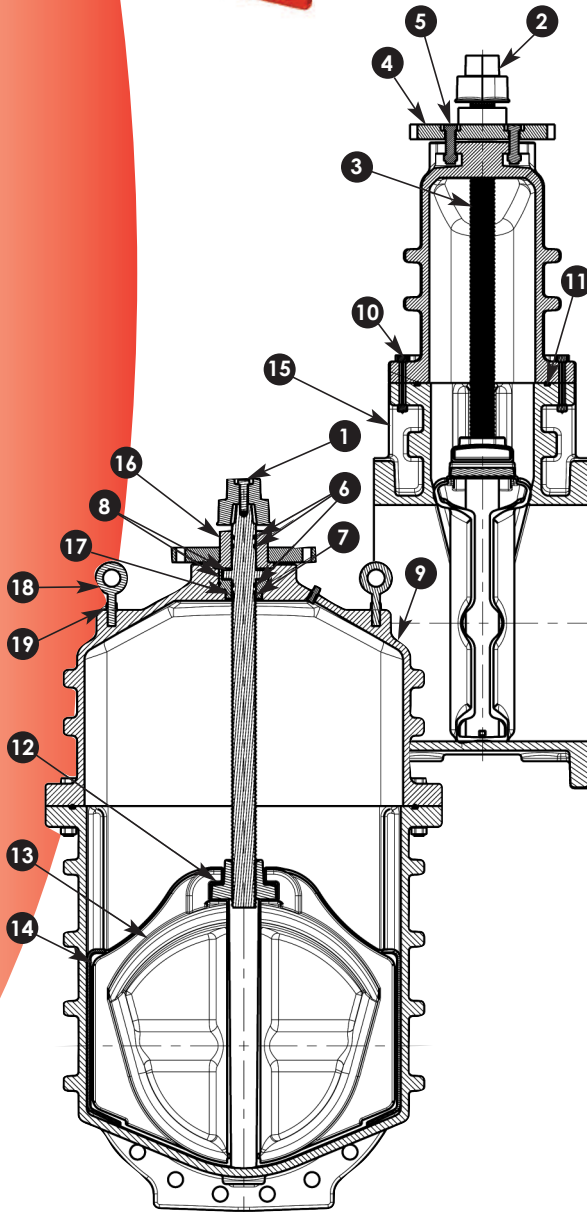
18" (DN450)
shown



Product Features

- NRS Post Indicator Valve (PIV).
- Models: P-2361 14"–24" (DN350 – DN600).
- Ductile Iron Body and Bonnet, Ductile Iron Post Indicator Flange.
- Mueller® Pro-Gard™ Fusion Epoxy Coating inside and out cover all cast surfaces – 10 mils (250 µm) nominal; meets AWWA/ANSI C550 and complies with NSF 61.
- Iron wedge, symmetrical & fully encapsulated with molded rubber; no exposed iron.
- Polymer cap bearing on wedge guides resist wear and provide easy operation.
- Three stem O-rings seal in lubricant – two above thrust collar, one below.
- Polymer anti-friction washers – one above and one below thrust collar reduce operating torque.
- Bi-directional flow.
- 10-year limited warranty.
- Pressure Rating: 14"–16" (DN350 – DN400) 250 psig (17 Barg); 18"–24" (DN450 – DN600) 175 psig (12 Barg).
- UL listed (14"–24"/DN350 – DN600); FM approved (14"–16"/DN350 – DN400).
- End connections: Mechanical Joint, Flange ANSI B16.1 Class 125 Flat Face (14" & 16" optional PN10, PN16 drilling).

moreinfo@muellercompany.com



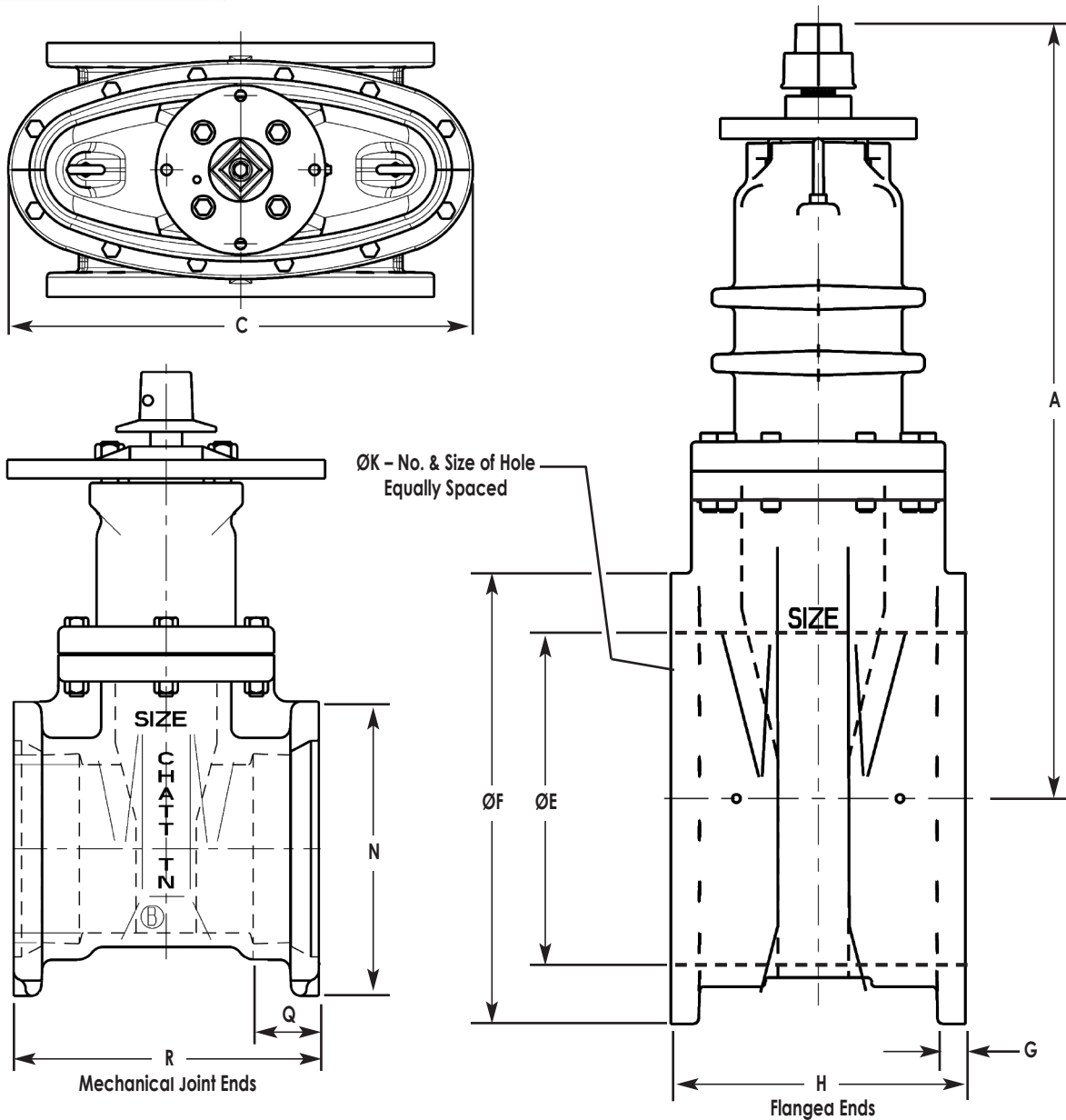
Parts List

| ID | PART NAME | MATERIAL STANDARDS |
|----|--------------------------------|------------------------------|
| 1 | Cap Screw (See Note 2) | Steel ASTM A307 |
| 2 | Wrench Nut (See Note 3) | Cast Iron ASTM A126 CL B |
| 3 | Stem | Bronze ASTM B138 |
| 4 | Stuffing Box | Ductile Iron ASTM 536 |
| 5 | Stuffing Box Bolts/Nuts | Steel ASTM A307 (See Note 2) |
| 6 | O-Ring | EPDM ASTM D2000 |
| 7 | O-Ring | EPDM ASTM D2000 |
| 8 | Anti-Friction Washer | Acetal |
| 9 | Bonnet | Ductile Iron ASTM A536 |
| 10 | Bonnet Bolts/Nuts (See Note 2) | Steel ASTM A307 |
| 11 | Bonnet Gasket (O-Ring) | EPDM ASTM D2000 |
| 12 | Disc Nut | Bronze ASTM B62 |
| 13 | Disc | See Note 1 |
| 14 | Guide Cap | Acetal |
| 15 | Body | Ductile Iron ASTM A536 |
| 16 | Stuffing Box Insert | Carbon Steel ASTM A36 |
| 17 | Bonnet Bushing | Bronze ASTM B62 |
| 18 | Eyebolt | Galvanized Steel |
| 19 | Nut | Steel ASTM A307 (See Note 2) |

Notes:

1. 14"–16" Rubber-encapsulated Ductile Iron Disc; Rubber – SBR ASTM D2000, Ductile Iron - ASTM A536 Grade 65-45-12 (minimum strength)
2. 18"–24" Rubber-encapsulated Ductile Iron Disc, Rubber – EPDM ASTM D2000, Ductile Iron - ASTM A536 Grade 65-45-12 (minimum strength)
3. Bolts - SAE J429 Grade 2; Nuts - ASTM A563 Grade A; Fasteners - Plated to ASTM F1941 Class Fe/Zn 12C.

Mueller Co. Resilient Wedge Post Indicator Valves



Dimensions – inches (mm)

| VALVE SIZE | A | C | ØE | ØF | G | H | No. - ØK | R | N | Q |
|-------------|--------------|--------------|-------------|-------------|-----------|-------------|--------------|-------------|-------------|-----------|
| 14" (DN350) | 32.75 (832) | 24.92 (633) | 14.38 (365) | 21.00 (533) | 1.38 (35) | 15.04 (382) | 12-1.12 (28) | 19.88 (505) | 20.25 (514) | 3.50 (89) |
| 16" (DN400) | 37.88 (962) | 26.58 (675) | 16.00 (400) | 23.50 (597) | 1.59 (40) | 16.06 (408) | 16-1.12 (28) | 19.75 (502) | 22.56 (573) | 3.50 (89) |
| 18" (DN450) | 44.19 (1122) | 30.50 (775) | 18.38 (467) | 25.00 (635) | 1.69 (43) | 17.00 (432) | 16-1.25 (32) | 21.00 (533) | 24.87 (632) | 3.50 (89) |
| 20" (DN500) | 48.25 (1225) | 33.75 (857) | 20.38 (518) | 27.50 (698) | 1.78 (45) | 18.00 (450) | 20-1.25 (32) | 21.50 (546) | 27.24 (692) | 3.50 (89) |
| 24" (DN600) | 53.88 (1369) | 39.50 (1003) | 24.38 (619) | 32.00 (800) | 2.00 (50) | 20.00 (500) | 20-1.38 (35) | 23.50 (597) | 31.88 (810) | 3.50 (89) |

Weight – lb. (Kg)

| VALVE SIZE | 14" (DN350) | 16" (DN400) | 18" (DN450) | 20" (DN500) | 24" (DN600) |
|------------|-------------|-------------|-------------|-------------|-------------|
| FLANGED | 659 (299) | 841 (381) | 1298 (589) | 1640 (744) | 2488 (1129) |
| MJ* | 650 (295) | 931 (422) | 1298 (589) | 1640 (744) | 2423 (1099) |

*Weights approximate, MJ less accessories

Copyright © 2014 Mueller Co., LLC. All Rights Reserved. The trademarks, logos and service marks displayed in this document herein are the property of Mueller Co., LLC, its affiliates or other third parties. These products are intended for use in potable water applications. Please contact your Mueller Sales or Customer Service Representative concerning any other application(s).



INTERNATIONAL DIVISION