

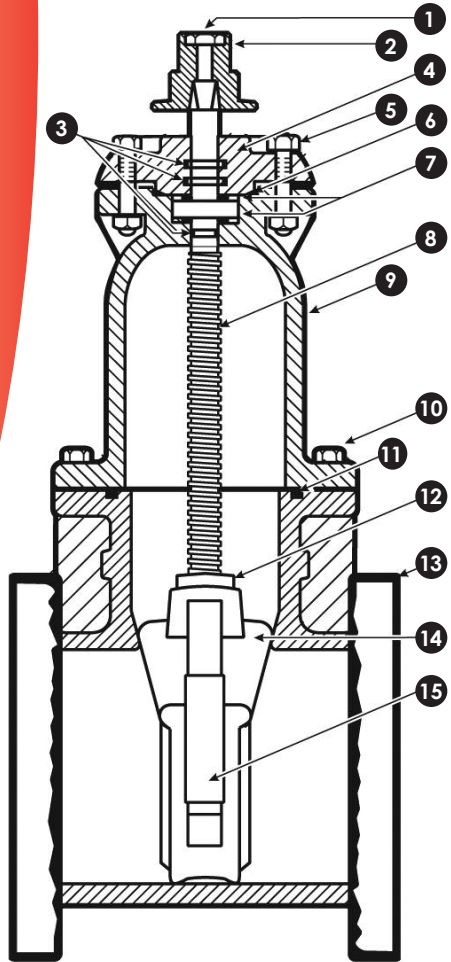


A-2361 Resilient Wedge Gate Valve 14"-24"

Form 12940 – rev 08/14

Product Features

- Non-Rising Stem (NRS).
- Meets AWWA C515.
- 2" square Operating Nut (optional Handwheel).
- 14" – 24" (DN350 – DN600). Larger valves through 54" (DN1350) also available.
- All Ductile Iron Body and Bonnet.
- Fusion Bonded Mueller Pro-Gard® Epoxy Coating – 10 mil (250µ) nominal, meets requirements of AWWA C550.
- Manganese Bronze Stem.
- Antifriction washer above and below thrust collar.
- Iron Wedge, symmetrical & fully encapsulated with molded rubber; no exposed iron – acetal Caps on guides ease operation and avoid wear.
- 10 year limited warranty.
- 250 psig (17 Barg) working pressure, 500 psig (34 Barg) test pressure.
- UL listed through 24" (DN600), FM approved through 16" (DN400).
- End connection: Flange ANSI B16.1 Class 125 Flat Face (PN16 available in sizes 14" (DN350) & 16" (DN400) only).



Parts List

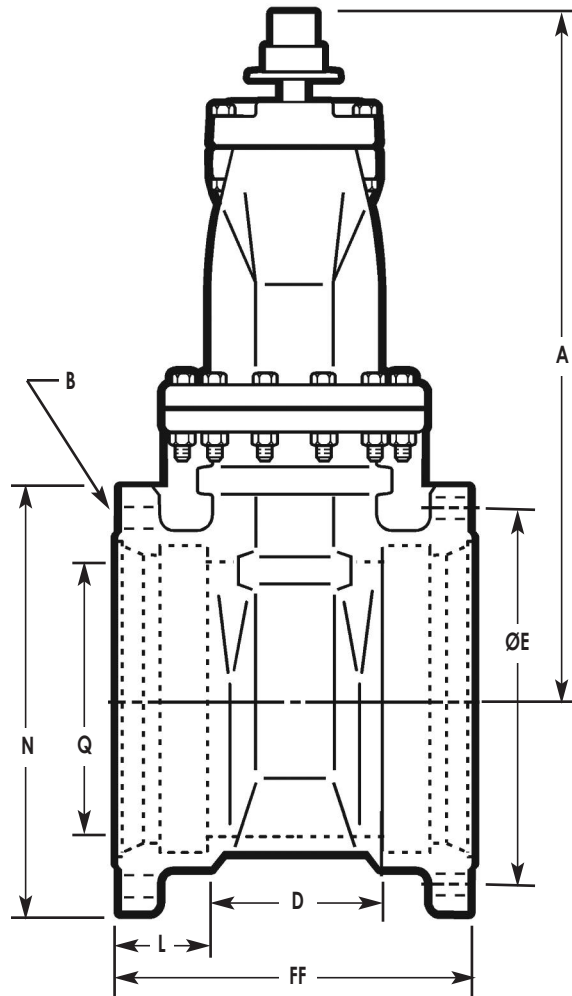
ID	PART NAME	MATERIAL/STANDARDS
1	Wrench Nut	Cast Iron* ASTM A126 CL.B
2	Wrench Nut Cap Screw	Carbon Steel SAE J429
3	Stem O-Rings (See Note 1)	Nitrile ASTM D2000
4	Stuffing Box	Ductile Iron ASTM A536**
5	Stuffing Bolts	Carbon Steel SAE J429
	Stuffing Nuts	Carbon Steel ASTM A563
6	Stuffing Box O-Ring (See Note 1)	Nitrile ASTM D2000
7	Anti Friction Washers	Acetal
8	Stem	Bronze 14" & 16" (DN350 & DN400) ASTM B138 18" – 24" (DN450 – DN600) ASTM B584
9	Bonnet	Ductile Iron ASTM A536**
10	Bonnet Bolts	Carbon Steel SAE J429
	Bonnet Nuts	Carbon Steel ASTM A563
11	Bonnet O-Ring (See Note 1)	Nitrile ASTM D2000
12	Stem Nut	Bronze ASTM B62
13	Body	Ductile Iron ASTM A536**
14	Wedge (See Note 2)	Ductile Iron ASTM A536**
15	Guide Cap Bearings	Acetal
16	Hand Wheel (not shown)	Cast Iron* ASTM A126 CL.B

*Manufacturers option to change to Ductile Iron.
**ASTM A536 Ductile Iron Grade 65-45-12 (minimum strength).

- Note 1.** 14" (DN350) & 16" (DN400) are Nitrile and 18"-24" (DN450 – DN600) EPDM.
- Note 2.** Fully encapsulated in molded rubber with no iron exposed. 14"-16" (DN350-DN400) are SBR; 18"-24" (DN450 – DN600) are EPDM.



INTERNATIONAL DIVISION



Dimensions – Inches (mm)

VALVE SIZE	A	D	ØE	FF	L	N	Q	Wt.-Lbs. (Kg)
14" (DN350)	32.75 (832)	12.36 (314)	18.75 (476)	19.75 (502)	3.50 (89)	20.62 (524)	14.38 (365)	695 (316)
16" (DN400)	37.88 (962)	12.55 (319)	21.00 (533)	19.75 (502)	3.50 (89)	22.56 (573)	16.00 (400)	846 (385)
18" (DN450)	44.19 (1122)	13.90 (353)	23.25 (590)	21.00 (533)	3.50 (89)	24.88 (632)	18.38 (467)	1274 (579)
20" (DN500)	48.25 (1225)	14.13 (359)	25.50 (648)	21.50 (546)	3.50 (89)	27.01 (686)	20.38 (518)	1820 (827)
24" (DN600)	53.88 (1369)	16.06 (408)	30.00 (762)	23.50 (597)	3.50 (89)	31.88 (810)	24.38 (619)	2438 (1108)

Number and Size of Holes (B) – Inches (mm)*

VALVE SIZE	14" (DN350)	16" (DN450)	18" (DN450)	20" (DN500)	24" (DN600)
MJ	10-.88" (22)	12-.88" (22)	12-.88" (22)	14-.88" (22)	16-.88" (22)
FLANGED	12-1.12" (28)	16-1.12" (28)	16-1.25" (32)	20-1.25" (32)	20-1.38" (35)

*For ANSI B16.1 Class 125 flanges.

Copyright © 2014 Mueller Co., LLC. All Rights Reserved. The trademarks, logos and service marks displayed in this document herein are the property of Mueller Co., LLC, its affiliates or other third parties. These products are intended for use in potable water applications. Please contact your Mueller Sales or Customer Service Representative concerning any other application(s).



INTERNATIONAL DIVISION