

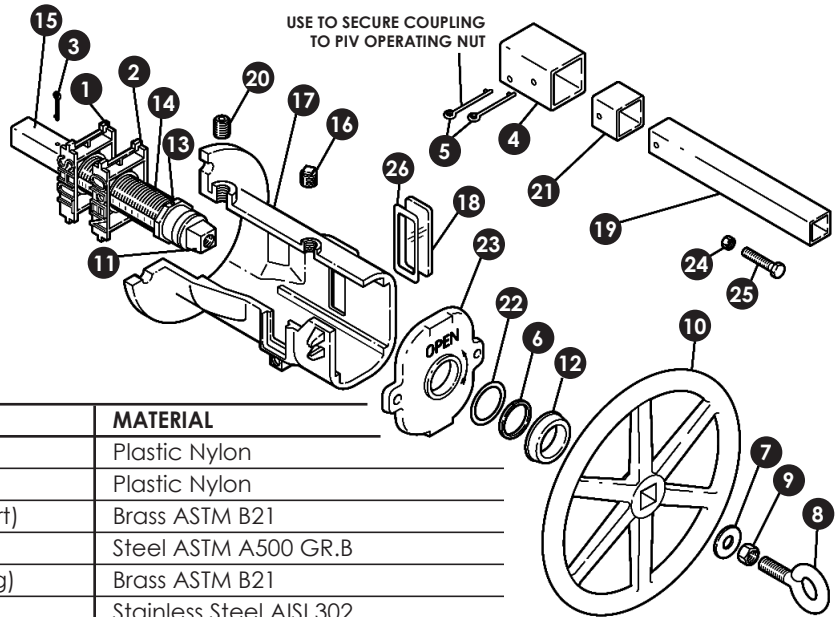
Mueller Co. Wall Type Indicator Post

Form 12809 - 1/13

Product Features



- Compatible with 4" – 16" (100 mm – 400 mm) non-rising stem post indicator valves, requiring 14 to 49 turns respectively to open.
- Open left or right options.
- Model A-20814.
- Withstands up to 900 ft.-lbs. (124 KGM) of operating torque.
- Handwheel operated, includes eye bolt attachment to facilitate use of chain and padlock.
- ½" NPT tapped boss for mounting optional supervisory switch.
- UL/ULC listed and FM approved.



Parts List

ID	PART NAME	MATERIAL
1	Target Shut	Plastic Nylon
2	Target Open	Plastic Nylon
3	Cotter Pin (short)	Brass ASTM B21
4	Coupling	Steel ASTM A500 GR.B
5	Cotter Pin (long)	Brass ASTM B21
6	Retaining Ring	Stainless Steel AISI 302
7	Washer	Steel/Zinc Plated
8	Eye Bolt	Steel/Zinc Plated
9	Hex Nut	Steel/Zinc Plated ASTM A563 GR.A
10	Handwheel	Ductile Iron ASTM A536 GR.65-45-12
11	Operating Nut	Ductile Iron ASTM A536 GR.65-45-12
12	Cap	Plastic Polypropylene
13	Spring Pin	Stainless Steel AISI 420
14	Threaded Sleeve	Plastic Nylon
15	Upper Stem	Steel ASTM A513
16	Pipe Plug - Hex Socket	Steel
17	Post Head	Ductile Iron ASTM A536 GR.65-45-12
18	Window	Plexiglass
19	Lower Stem	Steel ASTM A500 GR.B
20	Socket Head Set Screw	Steel ANSI B18.3
21	Coupling Insert	Steel ASTM A500 GR.B
22	Washer	Stainless Steel AISI 304
23	Indicator Post Cover	Cast Iron ASTM A126 CL.B
24	Hex Nut ½"	Steel/Zinc Plated ASTM A563 GR.B
25	Hex Bolt ½" x 1¾"	Steel/Zinc Plated ANSI B18.2.1
26	Window Gasket	



INTERNATIONAL DIVISION

Dimensions

