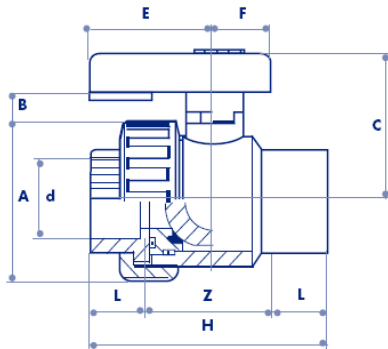


## ABS & uPVC VALVES

### BVS RANGE

#### uPVC SINGLE UNION BALL VALVE



**Part No. BVS-11P (uPVC BODY WITH EPDM SEALS & BSP THREADED ENDS)**  
**Part No. BVS-13P (uPVC BODY WITH EPDM SEALS & SOLVENT WELD ENDS)**  
**SINGLE UNION BALL VALVE**

These versatile ball valves are suitable for a wide range of applications offering an unobstructed full bore and a quarter turn, fast shut off.

uPVC is lightweight and has excellent resistance to chemicals and abrasion, is tasteless and odourless making it ideal for use with potable water systems and most food products. uPVC is resistant to most solutions of acids, alkalis, salts and solvents which can be mixed with water.

#### Features & Benefits

- WRAS Approved.
- uPVC Approved to BS4346 part 1.
- Lightweight.
- Full bore.
- Lever operated.
- Materials suitable for a wide range of applications.

#### Pressure & Temperature

Pressure range:-  
Up to 10 bar

Temperature Range:-  
0°C to 60°C.

SIZE	3/8	1/2	3/4	1	1 1/4	1 1/2	2	2 1/2	3	4
A	50	50	60	68	80	96	116	145	166	210
B	10	10	11	13	18	20	20	25	28	28
C	48	48	54	62	75	87	101	123	138	160
d*	9.5 (3/8")	12.7 (1/2")	19.1 (3/4")	25.4 (1")	31.8 (1 1/4")	38.1 (1 1/2")	50.8 (2")	63.5 (2 1/2")	76.2 (3")	101.6 (4")
E	39	39	47	55	60	68	80	90	100	120
F	19	19	22	25	30	35	40	45	50	60
H	72	76	90	102	118	127	168	210	235	275
L	14	16	19	22	24	24	28	33	36	42
Z	44	44	52	58	70	79	112	144	163	191

\* BVS-11P BSPP thread size in brackets