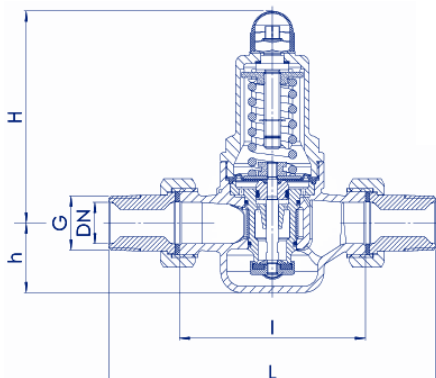


PRESSURE REDUCING VALVES

GOE-681

**WRAS APPROVED
PRESSURE
REDUCING VALVE
IMPA CODED FOR MARINE DUTY**



Part No. GOE-681

**BRONZE BODY WITH BSP THREADED BRASS UNION CONNECTIONS
SUITABLE FOR WATER, COMPRESSED AIR & NEUTRAL GAS**

IMPA Code*	75-65-61	75-65-62	75-65-63	75-65-64	75-65-65	75-65-66
SIZE	DN15	DN20	DN25	DN32	DN40	DN50
I	80	90	100	105	130	140
L	142	158	180	193	226	252
h	33	33	45	45	70	70
H	102 (128**)	102 (128**)	130 (150**)	130 (150**)	165 (185**)	165 (185**)
G (BSP)	½	¾	1	1¼	1½	2

* International Marine Purchasing Association ** Type 681mGFO-LP (low pressure version)

The GOE-681 is an extremely sturdy pressure reducing valve which is suitable for water up to 95° C, compressed air, neutral gas, neutral and non-sticking liquids. Used in domestic water supply systems as well as commercial and industrial plants, this is a versatile valve suitable for many applications.

The GOE-681 has an integral filter which prevents debris from entering the valve which may affect its performance.

The valve has a 1/4 BSP pressure gauge ports on both sides so that the pressure can be accurately monitored and adjusted. Pressure gauges are an optional extra.

Features & Benefits

- Direct acting.
- WRAS & DVGW Approved.
- IMPA coded for marine duty.
- Quiet operation.
- Economical & efficient.
- Pressure gauge port.
- Ease of pressure adjustment.
- Male union connections.
- Can be installed in any position.

Pressure & Temperature

Maximum Inlet Pressure:-

GOE-681-SP : 25 bar
GOE-681-HP : 30 bar
GOE-681-LP : 25 bar

Reduced Pressure range:-

GOE-681-SP : 1 to 8 bar*
GOE-681-HP : 5 to 15 bar
GOE-681-LP : 0.5 to 2 bar

* DVGW up to 6 bar

Temperature Range:-

Up to 95°C