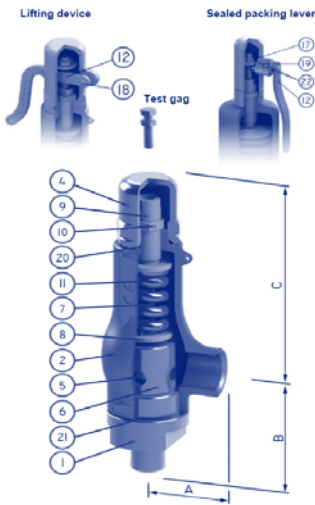


## SAFETY RELIEF VALVES

# 1216HP

### STAINLESS STEEL SAFETY RELIEF VALVE FOR GASES, LIQUIDS & STEAM



#### Part No. 1216HP (HIGH PRESSURE)

#### STAINLESS STEEL BODY ANGLED PATTERN SAFETY RELIEF VALVE

A cost effective EU manufactured stainless steel safety relief valve suitable for a wide variety of high pressure applications.

The 1216HP is an enclosed angled pattern safety relief valve, available with a dome top, lifting device, sealed packing lever or test gag.

A cryogenic version is also available service temperatures down to  $-196^{\circ}\text{C}$ .

#### Features & Benefits

- BSP or NPT Connections
- EN-12516-1, EN-4126-1 / 7
- DIN 259, ANSI B2.1
- Suitable for high pressure
- Set & certified to your requirements

#### Pressure & Temperature

Pressure range:-

0.2 to 300 bar

Temperature Range:-

Standard:  $-10^{\circ}\text{C}$  to  $300^{\circ}\text{C}$

Cryogenic:  $-196^{\circ}\text{C}$

#### 1216HP Dimensions

PRESSURE RATING	INLET BSP* Male	OUTLET BSP* Female	OFFICE	AREA (mm <sup>2</sup> )	A	B	C	Weight (kg)
PN100	1"	2"	16	201	62	100	235	5
PN100	1¼"	2"	18	254	62	100	235	5
PN100	1½"	2"	20	314	62	100	235	6
PN100	2"	2"	22	380	62	100	235	6.3
PN250	½"	¾"	9	64	45	72	155	3
PN250	¾"	¾"	9	64	45	72	155	3
PN250	1"	1"	9	64	45	77	155	3
PN400	½"	¾"	6	28	45	72	155	3
PN400	¾"	¾"	6	28	45	72	155	3
PN400	1"	1"	6	28	45	77	155	3

\*NPT Also available

#### MATERIALS

1 - Nozzle	AISI-316	11 - Spring*	Inconel X750 (Cryogenic - 17/7PH)
2 - Body	A351-CF-3M	12 - Lever	A351 CF-8
4 - Cap	A351 CF-8	17 - Release Nut	AISI-316
5 - Disc*	17-4PH	18 - Lever Axis*	AISI-303
6 - Guide	A351-CF-3M	19 - Packing Lever Axis	AISI-303
7 - Push Rod	AISI-316L	20 - Gasket*	PTFE
8 - Spring Button	AISI-303	21 - Gasket*	Graphite + AISI-304
9 - Adjusting Screw	AISI-303	22 - Gasket*	Viton (Cryogenic - PTFE)
10 - Tensor Nut	AISI-303		

\*Recommend spare parts