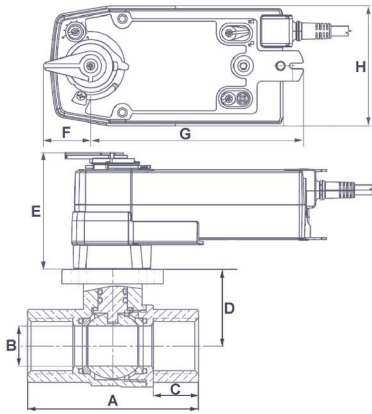


## JV241006

**Nickel Plated Brass Body  
90° Turn - Electric Spring Return Operated  
WRAS Approved Ball Valve  
c/w SRFA-R Electric Actuator  
BSPB Threaded**



The JV241006 is a brass bodied full bore ball valve suitable for a many applications including potable water offering reliability at an economical cost.

This valve is supplied completely assembled with a SRFA-R spring return electric actuator which is ideal for a process that requires fail safe operation.

All valve and actuator packages are tested and issued with certification confirming the actuators functionality before despatch.

### Approvals, Features & Benefits

- WRAS approved for potable water
- Full bore minimizes pressure drop
- Complete assembled package
- Voltage 24-240VAC / 24-125VDC
- Manual override on actuator
- Lightweight & compact
- Visual position indicator on actuator

### Pressure & Temperature

Pressure range:-  
½" - 2" PN40 rated  
Temperature range\*:-  
-20°C to 95°C

BSPB	½	¾	1	1¼	1½	2
A	59	69	83	94	102	124
B	15	20	25	32	38	45
C	17	18	22	24	24	28
D	31	37	41	46.5	58	65.5
E	101	101	101	101	101	101
F	40	40	40	40	40	40
G	182	182	182	182	182	182
H	103	103	103	103	103	103
<b>Operation Time 90° 50/60hz Sec.</b>	75	75	75	75	75	75
<b>Actuator Type</b>	SRFA-R	SRFA-R	SRFA-R	SRFA-R	SRFA-R	SRFA-R
<b>Weight Kg</b>	2.7	2.8	3	3.3	3.5	4.4

ACTUATOR SPECIFICATIONS			
<b>Enclosure</b>	IP54	<b>Travel Angle</b>	90°
<b>Power Supply</b>	Multi-Voltage 24-240VAC / 24-125V DC	<b>Casing Material</b>	Aluminium Alloy / Plastic
<b>Indicator</b>	Mechanical	<b>Connection supply</b>	Cable 1m, 2 x 0.75mm <sup>2</sup>
<b>Limit Switches</b>	Available at extra cost	<b>Ambient Temperature</b>	-40 to 80°C
<b>Voltage Frequency</b>	50/60 Hz	<b>Power consumption</b>	Operational 7 W / Rest 3 W

ACTUATOR OPTIONS	
<b>Limit Switches</b>	2 x SPDT, 1 x 10% / 1 x 11...90%

BALL VALVE MATERIALS	
<b>Body</b>	Brass - Nickel Plated
<b>Ball</b>	Brass - Chrome Plated
<b>Seats</b>	PTFE
<b>Stem</b>	Brass - Nickel Plated

\*Special actuator mounting kit required for temperatures above 80°C, contact sales for details and overall height dimensions