

## JV46E

**Ductile Iron Body  
EPDM Lined  
Marine Quality  
Butterfly Valve**

**Length to EN558-1 series 13**

**Double Flange Type**

**DN350-DN1200**

**PN6/10/16, ANSI 150 & JIS 5/10K  
(Specify when enquiring)**



Marine quality butterfly valve with a bonded EPDM liner suitable for many duties including water.

The butterfly valve offers quick opening and closing with full flow in either direction and leak tight shut off.

Flange gaskets not needed since the lining that extends onto the faces acts as a gasket.

### Approvals, Features & Benefits

- Lloyds, DNV, ABS & BV type approval
- Face to face acc. EN558-1 series 13
- 3.1 & 3.2 certification on request
- ISO 5211 top for direct mount actuation
- Supplied bare shaft as standard\*\*

\*\* Lever, gearbox, electric & pneumatic actuation available

### Pressure & Temperature

Pressure range:-

50-200mm: 16 Bar  
250-1200mm: 10 Bar

Temperature range:-

-30°C to 110°C

DN	350	400	450	500	600	700	800	900	1000	1100	1200
A	336	397	447	497	601	689	790	889	986	1073	1174
B	282	307	352	387	452	489	549	614	664	740	802
C	315	350	375	415	465	555	620	675	740	800	875
D	190	216	222	229	267	292	318	330	410	410	470
E	27	27	36	36	46	Ø70	Ø80	Ø90	Ø90	Ø105	Ø110
F	29	29	38	38	48	110	120	120	120	120	160
G	20	20	20	20	25	25	30	30	30	40	40
H	150	150	175	175	210	210	300	300	300	350	350
K	73	90	112	134	167	198	236	279	288	332	352
L	277	332	388	441	538	624	723	825	897	942	1075
N (ISO 5221)	F12	F12	F14	F14	F16	F16	F25	F25	F25	F30	F30
nxO	4 x 14	4 x 14	4 x 18	4 x 18	4 x 22	4 x 22	8 x 18	8 x 18	8 x 18	8 x 22	8 x 22
Torque (Nm)*	487.5	800	1062.5	1375	2256.25	4375	4900	6875	9618.75	14875	16875
Weight Kg	95	101	154	170	231	365	440	671	990	1180	1440

\* 50-200mm Torque calculated at 16 bar wet duty, pressure includes 25% safety, add 25% for dry duty.

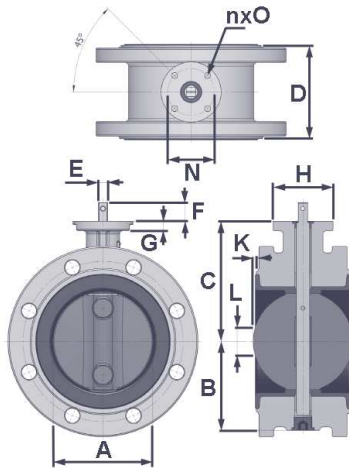
\* 250-1200mm Torque calculated at 10 bar wet duty, pressure includes 25% safety, add 25% for dry duty.

### MATERIALS (others available on request, contact sales for details)

Body	Ductile Iron (GGG40)
Disc	Aluminium Bronze (AB2) or Stainless Steel (1.4408)
Liner	EPDM
Shaft	Stainless Steel

Do you require class approved valves? Contact sales for availability.





## JV46V

**Ductile Iron Body  
Viton Lined  
Marine Quality  
Butterfly Valve**

**Length to EN558-1 series 13**

**Double Flange Type**

**DN50-DN300**

**PN6/10/16, ANSI 150 & JIS 5/10K  
(Specify when enquiring)**



Marine quality butterfly valve with a bonded Viton liner suitable for many high temperature duties.

The butterfly valve offers quick opening and closing with full flow in either direction and leak tight shut off.

Flange gaskets not needed since the lining that extends onto the faces acts as a gasket.

### Approvals, Features & Benefits

- Lloyds, DNV, ABS & BV type approval
- Face to face acc. EN558-1 series 13
- 3.1 & 3.2 certification on request
- ISO 5211 top for direct mount actuation
- Supplied bare shaft as standard\*\*

\*\* Lever, gearbox, electric & pneumatic actuation available

### Pressure & Temperature

Pressure range:-

50-200mm: 16 Bar  
250-1200mm: 10 Bar

Temperature range:-

0°C to 200°C

DN	40	50	65	80	100	125	150	200	250	300
<b>A</b>	40	52	68	82	104	127	151	201	252	304
<b>B</b>	61	67	74	82	99.5	111.5	134	172	203	223
<b>C</b>	113	118	126	133	147	160	180	204	245	270
<b>D</b>	106	108	112	114	127	140	140	152	165	178
<b>E</b>	11	11	11	11	11	14	14	17	22	22
<b>F</b>	25	25	25	25	25	28	28	28	30	30
<b>G</b>	12	12	12	14	14	14	14	14	15	15
<b>H</b>	90	90	90	90	90	90	90	90	125	125
<b>K</b>	-	-	-	-	-	-	5.4	25	43	63
<b>L</b>	-	-	-	-	-	-	56	132	190	246
<b>N (ISO 5221)</b>	F07	F07	F07	F07	F07	F07	F07	F10	F10	F10
<b>nxO</b>	4 x 9	4 x 9	4 x 9	4 x 9	4 x 9	4 x 9	4 x 9	4 x 11	4 x 11	4 x 11
<b>Torque (Nm)*</b>	13.75	18.75	26.25	43.75	60	106.25	218.75	275	375	487.5
<b>Weight Kg</b>	7.5	8	8.8	10	13.1	18	23.1	43	52	77

\* 50-200mm Torque calculated at 16 bar wet duty, pressure includes 25% safety, add 25% for dry duty.

\* 250-1200mm Torque calculated at 10 bar wet duty, pressure includes 25% safety, add 25% for dry duty.

### MATERIALS (others available on request, contact sales for details)

<b>Body</b>	Ductile Iron (GGG40)
<b>Disc</b>	Aluminium Bronze (AB2) or Stainless Steel (1.4408)
<b>Liner</b>	Viton
<b>Shaft</b>	Stainless Steel

Do you require class approved valves? Contact sales for availability.





## Lever & Gearbox To Suit Butterfly Valves

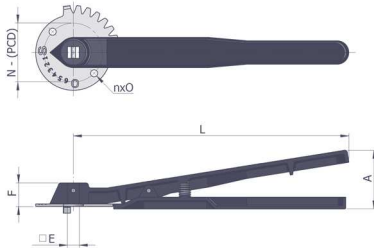


**S2 - Spring Ratchet Lever to Suit JV36 - 46 - 57 - 60 - 64 - 52**

**HP - High Performance Lever to Suit JV96 - 97 - 98**

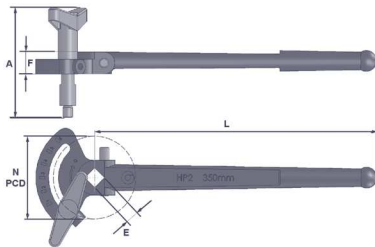
**JV241001 - Aluminium Gearbox & Handwheel to Suit Butterfly Valves**

**QS - Cast Iron Gearbox & Handwheel to Suit Butterfly Valves**



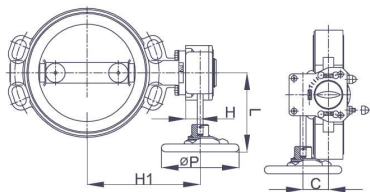
**Part No. S2 Spring Ratchet Lever with Open/Shut Indicator**

Valve Size	40	50	65	80	100	125	150	200	250	300
<b>A</b>	57.5	57.5	57.5	57.5	57.5	69	69	69	80.5	80.5
<b>E</b>	11	11	11	11	11	14	14	17	22	22
<b>F</b>	25	25	25	25	25	28	28	28	30	30
<b>L</b>	232	232	232	232	232	329	329	329	400	400
<b>N</b>	70	70	70	70	70	70	70	70	102	102
<b>nxO</b>	2 x Ø9	2 x Ø9	2 x Ø9	2 x Ø9	2 x Ø9	2 x Ø9	2 x Ø9	2 x Ø9	2 x	2 x
<b>Wt Kg</b>	0.75	0.75	0.75	0.75	0.75	1.25	1.25	1.25	2	2



**Part No. HP High Performance Lever with Open/Shut Indicator**

Valve Size	40	50	65	80	100	125	150	200	250	300
<b>A</b>	115.5	115.5	115.5	115.5	115.5	115.5	115.5	134.5	134.5	134.5
<b>E</b>	12	12	12	12	12	17	17	19	22	22
<b>F</b>	25	25	25	25	25	27	27	36	36	36
<b>L</b>	280	280	280	280	280	350	350	500	500	500
<b>N</b>	70	70	70	70	70	102	102	125	102	102



**Part No. JV241001 Aluminium Gearbox with Open/Shut Indicator**

Valve	40	50	65	80	100	125	150	200	250	300
<b>L</b>	99	99	99	99	99	99	99	115	220	220
<b>C</b>	42.5	42.5	42.5	42.5	42.5	42.5	42.5	50	60	60
<b>H</b>	48	48	48	48	48	48	48	54	71	71
<b>H1</b>	TBC	TBC	TBC	TBC	TBC	TBC	TBC	TBC	TBC	TBC
<b>P</b>	120	120	120	120	120	120	120	200	260	260
<b>Wt Kg</b>	1.5	1.5	1.5	1.5	1.5	1.5	1.5	2	5.5	5.5

**Part No. QS Cast Iron Gearbox with Open/Shut Indicator**

Valve Size	250	300	350	400	450	500	550	600	700	800	900	1000	1100	1200
<b>L</b>	270.5	270.5	277.5	328	328	340	408	408	440	456	514.5	540	556	570
<b>C</b>	68.75	68.75	68.75	84	84	96.5	137.5	137.5	137.5	137.5	180	180	180	252.5
<b>H</b>	42.5	42.5	42.5	45	45	50	54.5	54.5	54.5	54.5	63.5	63.5	63.5	85
<b>H1</b>	TBC	TBC	TBC	TBC	TBC	TBC	TBC	TBC	TBC	TBC	TBC	TBC	TBC	TBC
<b>P</b>	250	250	250	300	500	500	500	500	700	600	700	500	600	600
<b>Wt Kg</b>	8.52	8.52	8.52	15.45	16.89	17.94	35.95	35.95	37.18	41.93	65.87	66.40	75.83	157.7