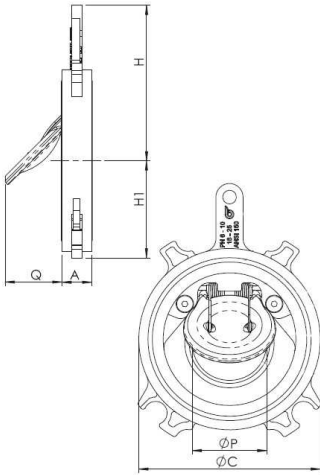


## JV080014

**Stainless Steel  
Viton Seals  
Swing Type c/w Spring  
Check (Non-Return) Valve  
Multi-Flange Wafer Type  
PN6/10/16/25, ANSI 150**



A stainless steel wafer swing type check valve complete with spring that is suitable for various applications.

It can be fitted in the horizontal position or in the vertical position with the flow going upwards.

### Approvals, Features & Benefits

- Spring loaded (can be removed if required)
- Viton seals for various application
- Lightweight construction
- Wafer type
- Multi-flange

### Pressure & Temperature

Pressure range:-  
DN32-200 : PN25 Rated  
DN250 : PN16 Rated

Temperature Range:-  
-10°C to 150°C

DN	32	40	50	65	80	100	125	150	200	250
A	16	16	18.5	18.5	22	23.5	29	34.5	36	38
C	77	86.5	99	118	134	154	184	208	264	317
H	83.5	88.75	98.5	107	115	131	138	137	169	247
H1	45	49	53	63	73	92	119	149	167	140
P	20	26.5	33	43	53	75	96	118	164	200
Q	18	21	30	44	56	70	80	96	125	169
Weight Kg	0.43	0.54	0.82	1.25	1.86	2.42	3.1	5.3	8.5	12.4

### MATERIALS

Body	Stainless Steel (ASTM A351 CF8M)
Disc & Plate	Stainless Steel (ASTM A351 CF8M)
Screw	Stainless Steel (A2)
O-rings	Viton
Spring	Stainless Steel (AISI 302)
Eyebolt	Stainless Steel (AISI 316)

### KV / CRACKING PRESSURES

SIZE DN	KV (m3/h)	Upward Flow with Spring (mbar)	Horizontal Flow with Spring (mbar)	Upward Flow without Spring (mbar)
32	13	31.4	23.7	7.8
40	24	20.6	13.5	7.1
50	41	19	12.3	6.8
65	75	19.4	12.7	6.8
80	140	19.2	11.8	7.5
100	208	17.1	10.4	6.7
125	341	22.2	12.4	9.8
150	525	22.6	12.7	9.8
200	1093	23.9	13.3	10.8
250	1670	25.5	13.5	12