

FA-VZO
SG Iron
Commercial / Industrial
Marine / Offshore
Oil Meter
Flanged PN16/25



Elster Honeywell FA-VZO flanged oil meters provide an accurate and reliable way of obtaining all the information a user needs to measure and control oil usage.

These meters are suitable for a variety of medium to high flow duties including checking and totalising fuel for heating systems, diesel engines and recording draw off from storage tanks in commercial, industrial, marine and off-shore installations.

Features & Benefits

- Accuracy of down to $\pm 1\%$
- IP50 protection class
- For diesel, light, medium & heavy grade oils
- Connections on bottom plate
- Can be installed in any position
- Optional factory fitted pulse output

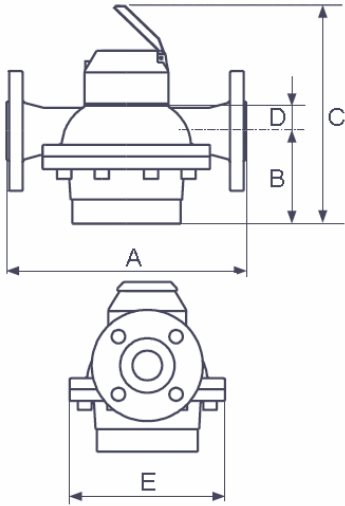
Pressure & Temperature

Maximum pressure:-
25 bar

Temperature range:-
-30°C to 130°C

SPECIFICATIONS		FA-VZO15	FA-VZO20	FA-VZO25	FA-VZO40	FA-VZO50
DN		15	20	25	40	50
A		165	165	190	300	350
B		45	54	77	116	166
C		180	210	220	310	375
C	(When fitted with reed pulse)	210	220	240	340	390
D		20	20	24	37	43
E		105	105	130	210	280
Weight	Kg	3.8	4.5	7.5	20.3	41.0
Maximum Flow Rate (Q_{max})	l/h	600	1500	3000	9000	30000
Maximum Continuous Flow Rate (Q_{cont})	l/h	400	1000	2000	6000	20000
Minimum Continuous Flow Rate (Q_{min})	l/h	20	40	75	225	750
Approximate Starting Flow Rate	l/h	4	12	30	90	300
Built In Safety Filter Mesh	mm	0.40	0.40	0.40	0.80	0.80
Maximum Permissible Error of Actual Value	%	± 1	± 1	± 1	± 1	± 1
Pulse Output (Reed)	Pulse/Litre	1 pulse per 1 litre		1 pulse per 10 litres		
Pulse Maximum Switching Voltage, Current & Power				48vDC, 50mA & 2 W		

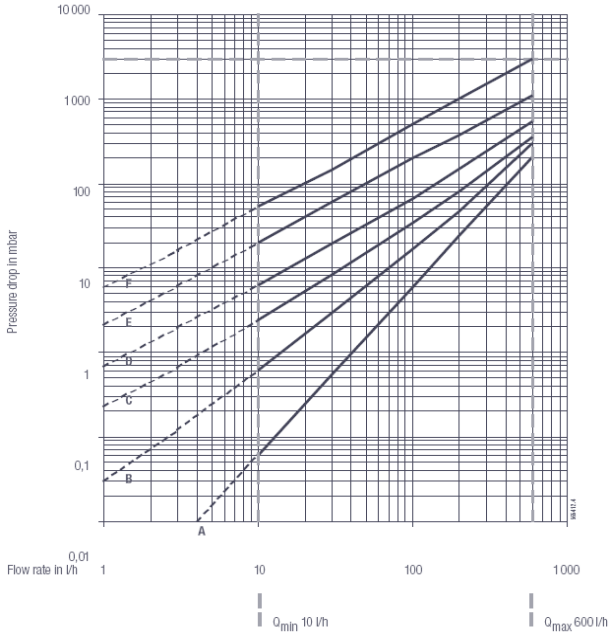
MATERIALS	
Body	SG Iron - (GJS 400-15) Finished Enameled Red, RAL 3013
Measuring Chamber	Brass (DN15 to DN40) • Aluminium Bronze (DN50)
Seal	FEP Fluorelastomer
Rotary Piston	Anodized Aluminium
Ancillaries	Plastic



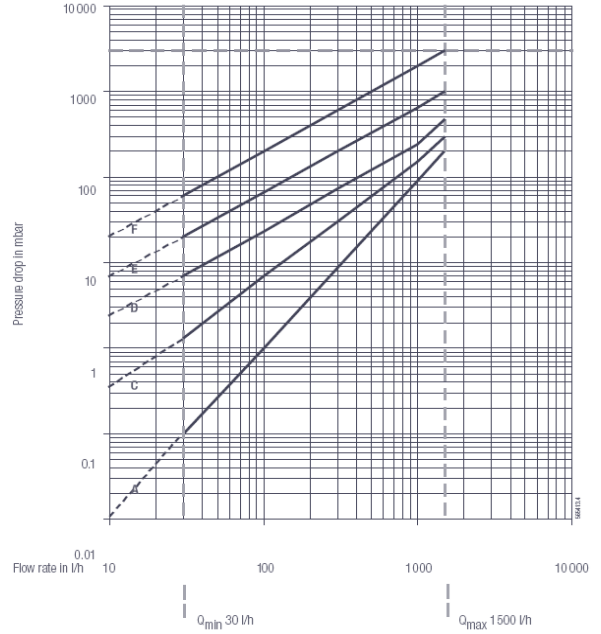
FA-VZO
SG Iron
Commercial / Industrial
Marine / Offshore
Oil Meter
Flanged PN16/25



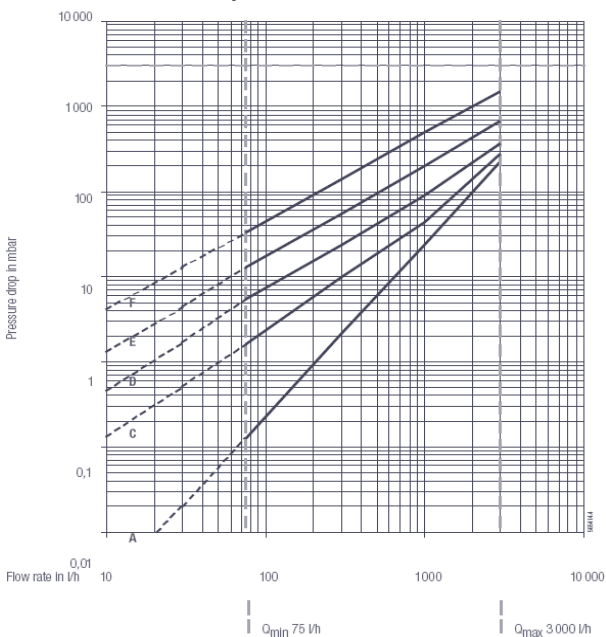
DN15 Pressure Drop



DN20 Pressure Drop



DN25 Pressure Drop



Viscosity diagrams

A = 5 mPa.s

B = 25 mPa.s

C = 50 mPa.s

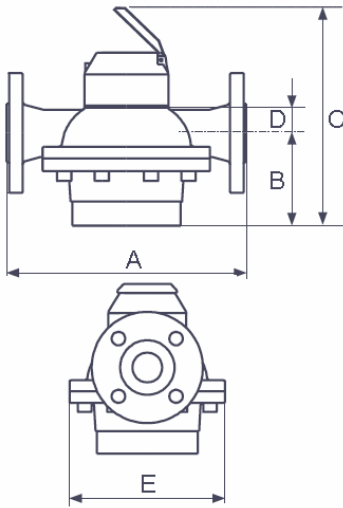
D = 100 mPa.s

E = 200 mPa.s

F = 500 mPa.s

For a pressure drop of more than 1 bar, it is recommended to use the next larger meter size.

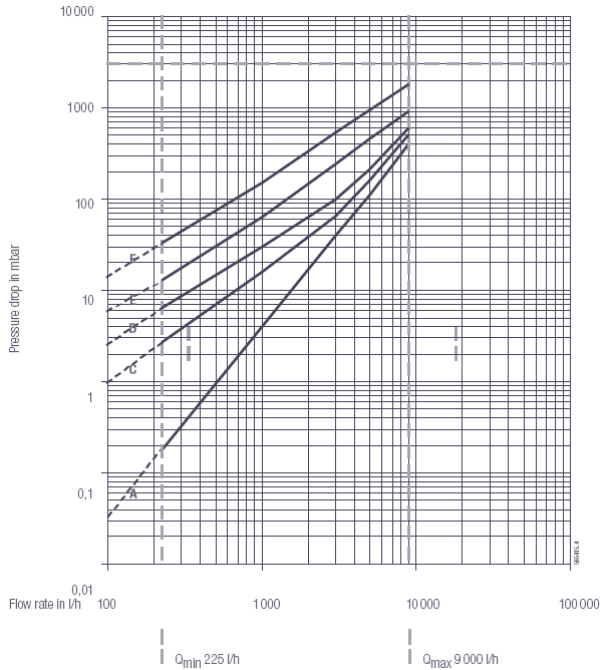
Maximum permissible pressure drop = 3 bar



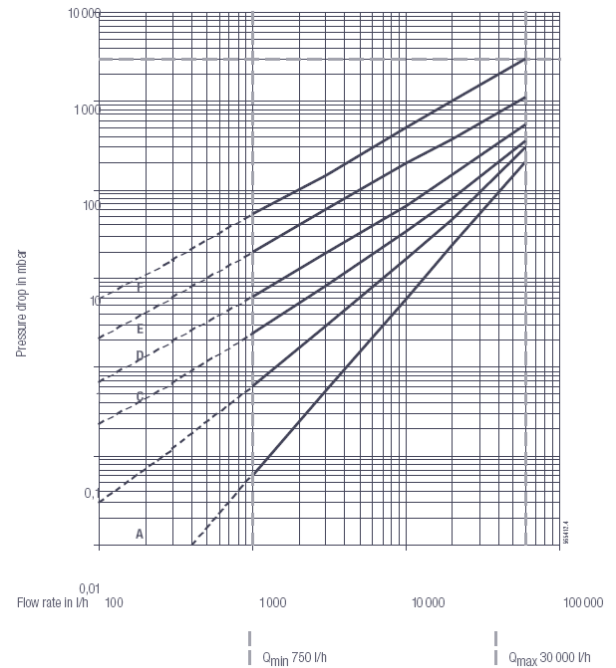
FA-VZO
SG Iron
Commercial / Industrial
Marine / Offshore
Oil Meter
Flanged PN16/25



DN40 Pressure Drop



DN50 Pressure Drop



Viscosity diagrams

A = 5 mPa.s

B = 25 mPa.s

C = 50 mPa.s

D = 100 mPa.s

E = 200 mPa.s

F = 500 mPa.s

For a pressure drop of more than 1 bar, it is recommended to use the next larger meter size.

Maximum permissible pressure drop = 3 bar