

JV60V

**Ductile Iron Body
Viton Lined
Marine Quality
Butterfly Valve**

Length to EN558-1 series 20

Mono Flange Type

DN50-DN300

**PN6/10/16, ANSI 150 & JIS 5/10K
(Specify when enquiring)**



Marine quality butterfly valve with a bonded Viton liner suitable for many high temperature duties.

The butterfly valve offers quick opening and closing with full flow in either direction and leak tight shut off.

Flange gaskets not needed since the lining that extends onto the faces acts as a gasket.

Approvals, Features & Benefits

- Lloyds, DNV, ABS & BV type approval
- Face to face acc. EN558-1 series 13
- 3.1 & 3.2 certification on request
- ISO 5211 top for direct mount actuation
- Supplied bare shaft as standard**

** Lever, gearbox, electric & pneumatic actuation available

Pressure & Temperature

Pressure range:-

50-200mm: 16 Bar
250-1000mm: 10 Bar

Temperature range:-
0°C to 200°C

DN	40	50	65	80	100	125	150	200	250	300
A	40	52	68	82	104	127	151	201	252	304
B	61	67	74	82	100	112	134	159	195	220
C	113	118	126	133	147	160	180	204	245	270
D	33	43	46	46	52	56	56	60	68	78
E	11	11	11	11	11	14	14	17	22	22
F	25	25	25	25	25	28	28	28	30	30
G	12	12	12	14	14	14	14	14	15	15
H	90	90	90	90	90	90	90	90	125	125
K	3.5	4.7	11	18	26	35	47	70	91	113
L	23	30	49	68	90	114	140	192	243	293
N (ISO 5221)	F07	F07	F07	F07	F07	F07	F07	F07	F10	F10
nxO	4 x 9	4 x 9	4 x 9	4 x 9	4 x 9	4 x 9	4 x 9	4 x 9	4 x 11	4 x 11
Torque (Nm)*	13.75	18.75	26.25	43.75	60	106.25	218.75	275	375	487.5
Weight Kg	2.7	3	4	4.2	6.1	8.3	10.3	15	25.8	33.6

* 50-200mm Torque calculated at 16 bar wet duty, pressure includes 25% safety, add 25% for dry duty.

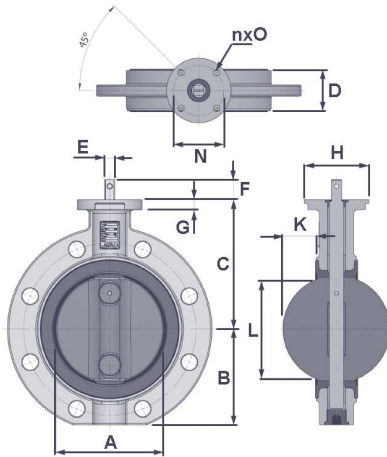
* 250-1000mm Torque calculated at 10 bar wet duty, pressure includes 25% safety, add 25% for dry duty.

MATERIALS (others available on request, contact sales for details)

Body	Ductile Iron (GGG40)
Disc	Aluminium Bronze (AB2) or Stainless Steel (1.4408)
Liner	Viton
Shaft	Stainless Steel

Do you require class approved valves? Contact sales for availability.





JV60V

**Ductile Iron Body
Viton Lined
Marine Quality
Butterfly Valve**

Length to EN558-1 series 20

Mono Flange Type

DN350-DN1000

**PN6/10/16, ANSI 150 & JIS 5/10K
(Specify when enquiring)**



Marine quality butterfly valve with a bonded Viton liner suitable for many high temperature duties.

The butterfly valve offers quick opening and closing with full flow in either direction and leak tight shut off.

Flange gaskets not needed since the lining that extends onto the faces acts as a gasket.

Approvals, Features & Benefits

- Lloyds, DNV, ABS & BV type approval
- Face to face acc. EN558-1 series 13
- 3.1 & 3.2 certification on request
- ISO 5211 top for direct mount actuation
- Supplied bare shaft as standard**

** Lever, gearbox, electric & pneumatic actuation available

Pressure & Temperature

Pressure range:-

50-200mm: 16 Bar
250-1000mm: 10 Bar

Temperature range:-

0°C to 200°C

DN	350	400	450	500	600	700	800	900	1000
A	350	400	450	500	600	700	800	900	1000
B	282	307	352	387	452	489	549	614	664
C	315	350	375	415	565	555	620	675	740
D	78	102	114	127	154	165	190	203	216
E	27	27	36	36	46	Ø70	Ø80	Ø90	Ø90
F	29	29	38	38	48	110	120	120	120
G	20	20	20	20	25	25	30	30	30
H	150	150	175	175	210	210	300	300	300
K	129	147	167	185	223	262	300	343	385
L	327	383	432	481	581	669	767	865	962
N (ISO 5221)	F12	F12	F14	F14	F16	F16	F25	F25	F25
nxO	4 x 14	4 x 14	4 x 18	4 x 18	4 x 22	4 x 22	8 x 18	8 x 18	8 x 18
Torque (Nm)*	487.5	800	1062.5	1375	2256.25	4375	4900	6875	9618.75
Weight Kg	54	69	110	160	240	370	620	690	960

* 50-200mm Torque calculated at 16 bar wet duty, pressure includes 25% safety, add 25% for dry duty.

* 250-1000mm Torque calculated at 10 bar wet duty, pressure includes 25% safety, add 25% for dry duty.

MATERIALS (others available on request, contact sales for details)

Body	Ductile Iron (GGG40)
Disc	Aluminium Bronze (AB2) or Stainless Steel (1.4408)
Liner	Viton
Shaft	Stainless Steel

Do you require class approved valves? Contact sales for availability.





Lever & Gearbox To Suit Butterfly Valves

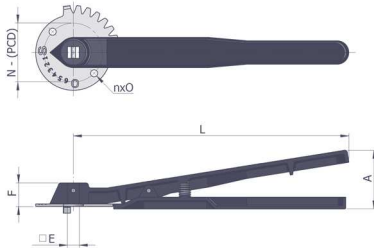


S2 - Spring Ratchet Lever to Suit JV36 - 46 - 57 - 60 - 64 - 52

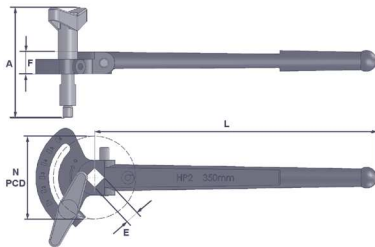
HP - High Performance Lever to Suit JV96 - 97 - 98

JV241001 - Aluminium Gearbox & Handwheel to Suit Butterfly Valves

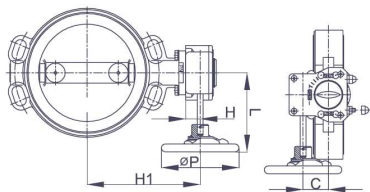
QS - Cast Iron Gearbox & Handwheel to Suit Butterfly Valves



Part No. S2 Spring Ratchet Lever with Open/Shut Indicator											
Valve Size	40	50	65	80	100	125	150	200	250	300	
A	57.5	57.5	57.5	57.5	57.5	69	69	69	80.5	80.5	
E	11	11	11	11	11	14	14	17	22	22	
F	25	25	25	25	25	28	28	28	30	30	
L	232	232	232	232	232	329	329	329	400	400	
N	70	70	70	70	70	70	70	70	102	102	
nxO	2 x Ø9	2 x Ø9	2 x Ø9	2 x Ø9	2 x Ø9	2 x Ø9	2 x Ø9	2 x Ø9	2 x	2 x	
Wt Kg	0.75	0.75	0.75	0.75	0.75	1.25	1.25	1.25	2	2	



Part No. HP High Performance Lever with Open/Shut Indicator											
Valve Size	40	50	65	80	100	125	150	200	250	300	
A	115.5	115.5	115.5	115.5	115.5	115.5	115.5	134.5	134.5	134.5	
E	12	12	12	12	12	17	17	19	22	22	
F	25	25	25	25	25	27	27	36	36	36	
L	280	280	280	280	280	350	350	500	500	500	
N	70	70	70	70	70	102	102	125	102	102	



Part No. JV241001 Aluminium Gearbox with Open/Shut Indicator											
Valve	40	50	65	80	100	125	150	200	250	300	
L	99	99	99	99	99	99	99	115	220	220	
C	42.5	42.5	42.5	42.5	42.5	42.5	42.5	50	60	60	
H	48	48	48	48	48	48	48	54	71	71	
H1	TBC	TBC	TBC	TBC	TBC	TBC	TBC	TBC	TBC	TBC	
P	120	120	120	120	120	120	120	200	260	260	
Wt Kg	1.5	1.5	1.5	1.5	1.5	1.5	1.5	2	5.5	5.5	

Part No. QS Cast Iron Gearbox with Open/Shut Indicator														
Valve Size	250	300	350	400	450	500	550	600	700	800	900	1000	1100	1200
L	270.5	270.5	277.5	328	328	340	408	408	440	456	514.5	540	556	570
C	68.75	68.75	68.75	84	84	96.5	137.5	137.5	137.5	137.5	180	180	180	252.5
H	42.5	42.5	42.5	45	45	50	54.5	54.5	54.5	54.5	63.5	63.5	63.5	85
H1	TBC	TBC	TBC	TBC	TBC	TBC	TBC	TBC	TBC	TBC	TBC	TBC	TBC	TBC
P	250	250	250	300	500	500	500	500	700	600	700	500	600	600
Wt Kg	8.52	8.52	8.52	15.45	16.89	17.94	35.95	35.95	37.18	41.93	65.87	66.40	75.83	157.7